

Voith Water Tractor „WILHELMSHAVEN“

5,020 bhp, 51.5 mt bollard pull, fire fighting



MAIN CHARACTERISTICS

Length	30.63 m
Beam	11.00 m
Draft	abt. 5.00 m
Speed	up to 12.6 kn
Classification	GL + 100 A5 E1 Tug FF1
Measurement	359 GT/107 NT
Flag	German
Call Sign	DCZI
Homeport	Wilhelmshaven
Built	1998
Fuel Capacity	abt. 168.4 m ³

DECK EQUIPMENT

Towing winch
Towing hook
Towing pins

ENGINE ROOM

Two Diesel engines, 1,845 kW at 900 rpm each
Two Gen-Sets, 112.5 kVA each
One Gen-Set of 43 kVA

GENERAL

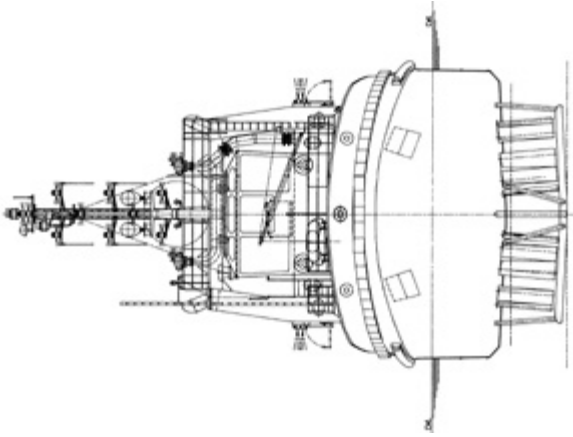
Two fiFi-guns, 1,200 m³/h each for water and foam (FiFi 1).
The tug is fully equipped for harbour towage and salvage operations.



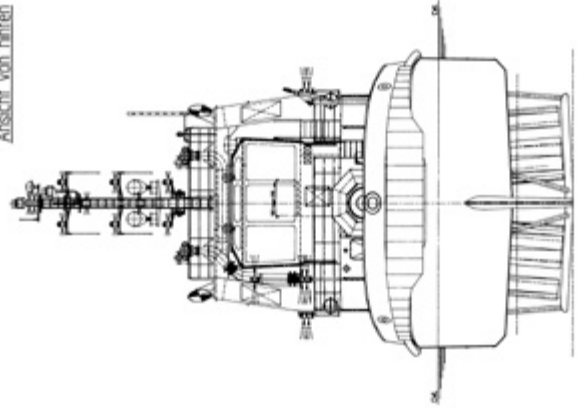
Unterweser Reederei GmbH

Am Weser-Terminal 10 · D-28217 Bremen
Phone +49 (421) 3488-0 · Fax +49 (421) 3488-100
info@urag.de · www.urag.de

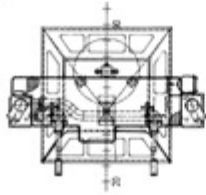
Ansicht_von_vorne



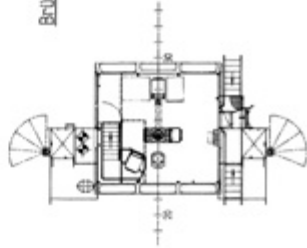
Ansicht_von_hinten



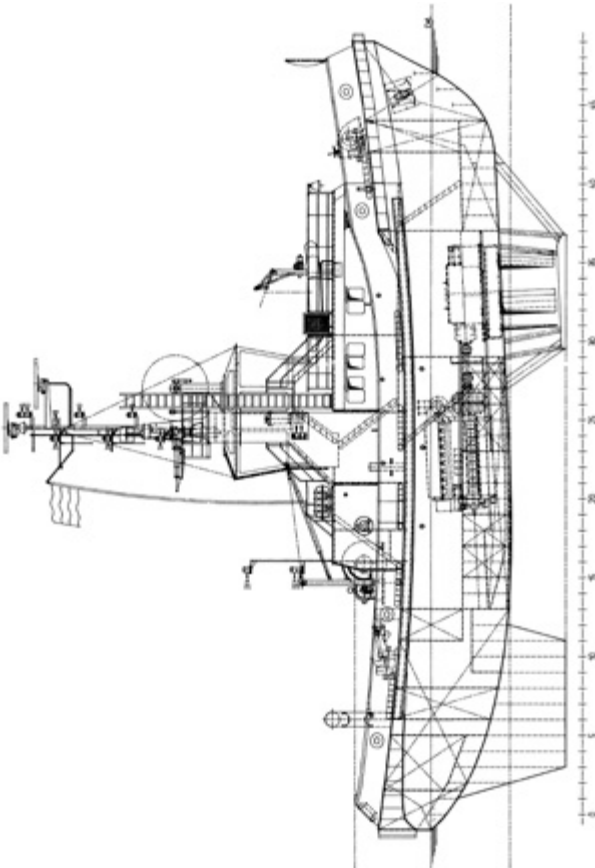
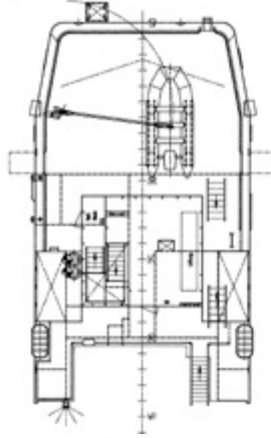
Peildeck



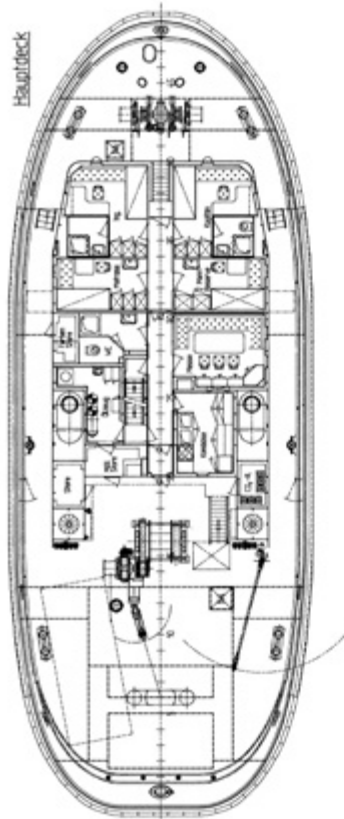
Brückendeck



Deckshausdeck



Hauptdeck



unter_Deck

